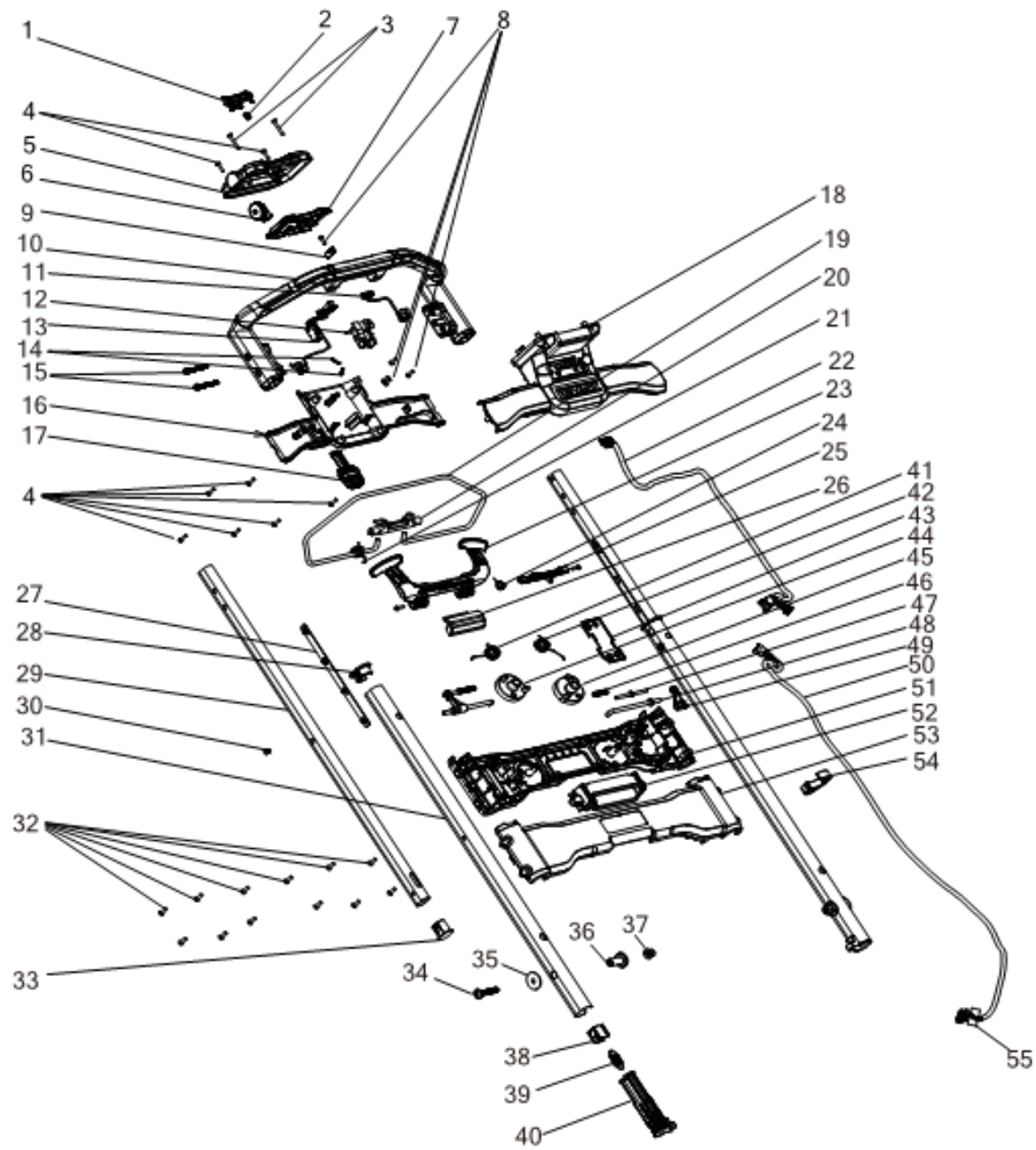
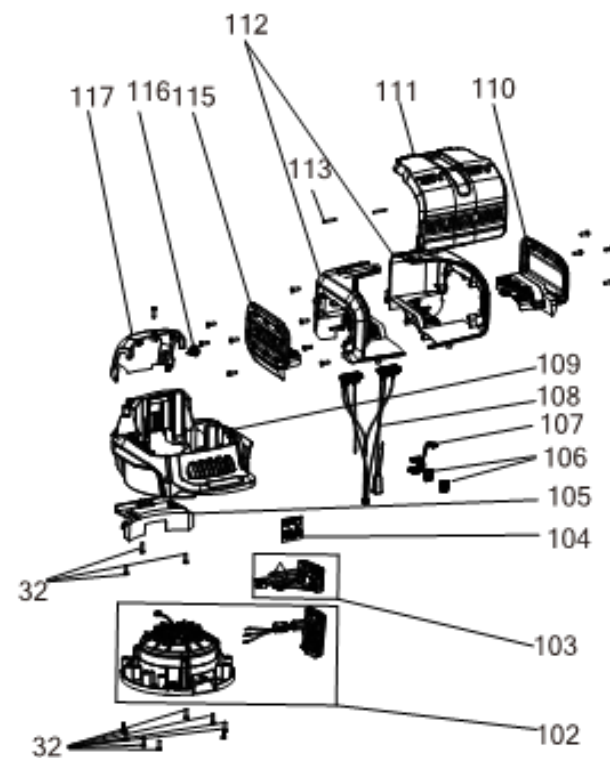
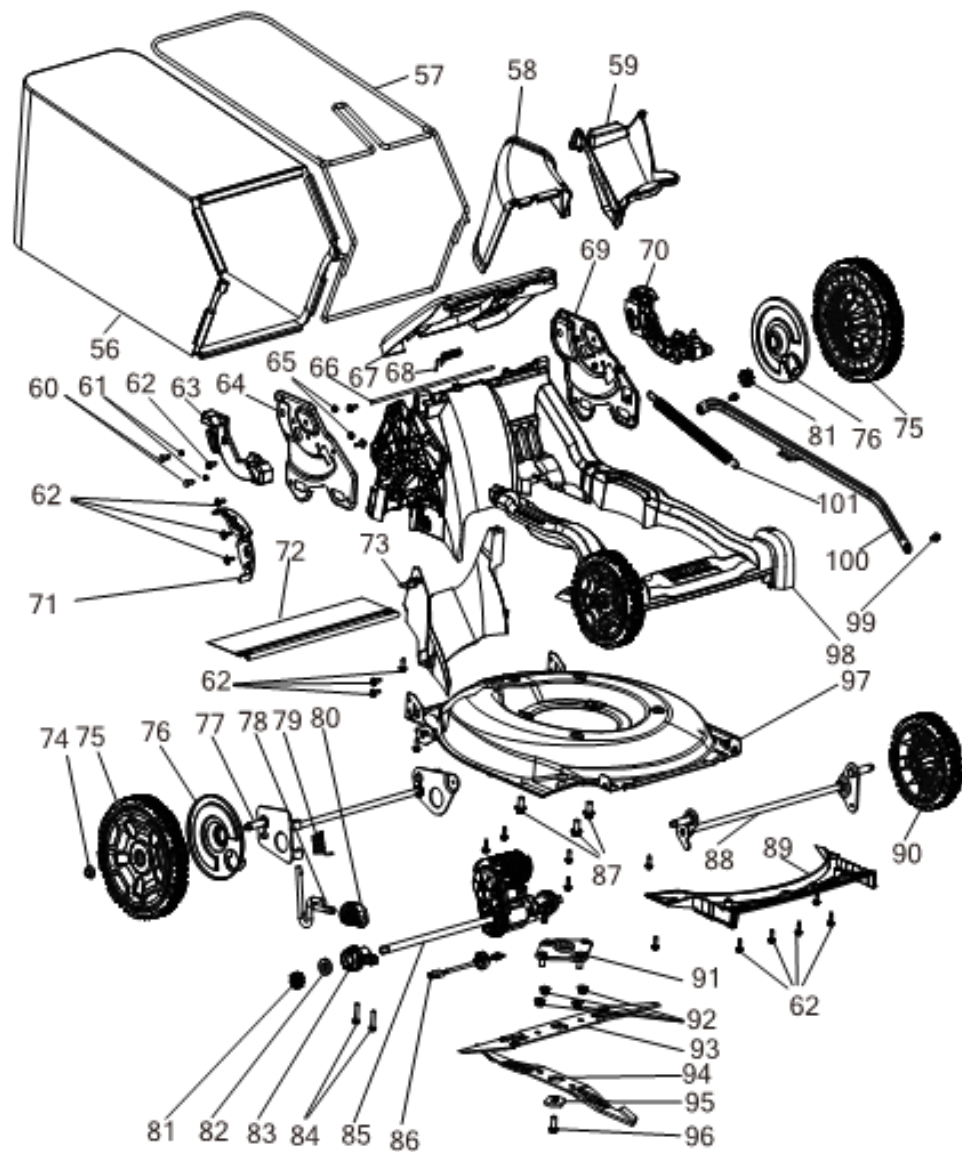


# DCMWSP156N MOWER 1



# DCMWSP156N MOWER 1



## Parts List DCMWSP156N MOWER 1

| Item | Part Number | Qty | Part Description | General Description | Other Info | Repair Inst | Markets |
|------|-------------|-----|------------------|---------------------|------------|-------------|---------|
| 1    | NA291684    | 1   | BUTTON           |                     |            | No          | XJ      |
| 2    | NA213502    | 1   | SPRING           |                     |            | No          | XJ      |
| 3    | 90617442    | 2   | SCREW            |                     |            | No          | XJ      |
| 4    | 330019-03   | 8   | SCREW            |                     |            | No          | XJ      |
| 5    | NA168487    | 1   | COVER            |                     |            | No          | XJ      |
| 6    | NA168483    | 1   | POTENTIOMETER SA |                     |            | No          | XJ      |
| 7    | NA312972    | 1   | CONTROL          |                     |            | No          | XJ      |
| 8    | 330019-02   | 7   | SCREW            |                     |            | No          | XJ      |
| 9    | NA255730    | 1   | BUTTON           |                     |            | No          | XJ      |
| 10   | NA305144    | 1   | HANDLE           |                     |            | No          | XJ      |
| 11   | NA211460    | 1   | WIRE HARNESS     |                     |            | No          | XJ      |
| 12   | NA172919    | 1   | SWITCH           |                     |            | No          | XJ      |
| 13   | NA211458    | 1   | WIRE             |                     |            | No          | XJ      |
| 14   | N261987     | 2   | CAP              |                     |            | No          | XJ      |
| 15   | 330045-29   | 4   | SCREW            |                     |            | No          | XJ      |
| 16   | NA168486    | 1   | SWITCHBOX        |                     |            | No          | XJ      |
| 17   | NA262050    | 1   | KEY              |                     |            | No          | XJ      |
| 18   | NA168485    | 1   | HOUSING SA       |                     |            | No          | XJ      |
| 19   | NA291636    | 1   | CATCH            |                     |            | No          | XJ      |
| 20   | NA168480    | 1   | CAM              |                     |            | No          | XJ      |
| 21   | N534932     | 1   | SPRING TORSION   |                     |            | No          | XJ      |
| 22   | NA172974    | 1   | HARNESS          |                     |            | No          | XJ      |
| 23   | NA334468    | 1   | PADDLE           |                     |            | No          | XJ      |
| 24   | NA175920    | 1   | PADDLE           |                     |            | No          | XJ      |
| 25   | NA177963    | 1   | PIVOT            |                     |            | No          | XJ      |
| 26   | NA173660    | 1   | COVER            |                     |            | No          | XJ      |
| 27   | NA302113    | 2   | STRIP            |                     |            | No          | XJ      |
| 28   | NA302157    | 2   | SLEEVE           |                     |            | No          | XJ      |
| 29   | NA302156    | 2   | TUBE UPPER       |                     |            | No          | XJ      |
| 30   | NA377608    | 2   | STOP             |                     |            | No          | XJ      |
| 31   | NA302154    | 2   | TUBE LOWER       |                     |            | No          | XJ      |
| 32   | 330019-12   | 36  | SCREW            |                     |            | No          | XJ      |

## Parts List DCMWSP156N MOWER 1

| Item | Part Number | Qty | Part Description | General Description | Other Info | Repair Inst | Markets |
|------|-------------|-----|------------------|---------------------|------------|-------------|---------|
| 33   | NA302159    | 2   | SLEEVE           |                     |            | No          | XJ      |
| 34   | NA291227    | 2   | BOLT             |                     |            | No          | XJ      |
| 35   | NA302168    | 2   | WASHER           |                     |            | No          | XJ      |
| 36   | NA302166    | 2   | SCREW            |                     |            | No          | XJ      |
| 37   | N526931     | 2   | NUT              |                     |            | No          | XJ      |
| 38   | NA302103    | 2   | HOOK             |                     |            | No          | XJ      |
| 39   | NA302114    | 2   | SPRING           |                     |            | No          | XJ      |
| 40   | NA302073    | 2   | LOCK             |                     |            | No          | XJ      |
| 41   | NA302117    | 1   | SPRING           |                     |            | No          | XJ      |
| 42   | NA302116    | 1   | SPRING           |                     |            | No          | XJ      |
| 43   | NA302176    | 1   | COVER            |                     |            | No          | XJ      |
| 44   | NA302109    | 1   | DISC             |                     |            | No          | XJ      |
| 45   | NA302110    | 1   | DISC             |                     |            | No          | XJ      |
| 46   | NA302115    | 2   | SPRING           |                     |            | No          | XJ      |
| 47   | NA302149    | 2   | PIN              |                     |            | No          | XJ      |
| 48   | NA302148    | 2   | ROD              |                     |            | No          | XJ      |
| 49   | NA302105    | 2   | HOLDER           |                     |            | No          | XJ      |
| 50   | NA217316    | 1   | HARNESS          |                     |            | No          | XJ      |
| 51   | NA302165    | 1   | COVER            |                     |            | No          | XJ      |
| 52   | NA301663    | 1   | BUTTON           |                     |            | No          | XJ      |
| 53   | NA302164    | 1   | COVER            |                     |            | No          | XJ      |
| 54   | NA302177    | 1   | CLIP             |                     |            | No          | XJ      |
| 55   | NA390861    | 1   | CORE             |                     |            | No          | XJ      |
| 56   | NA324042    | 1   | GRASSBAG         |                     |            | No          | XJ      |
| 57   | NA301420    | 1   | FRAME            |                     |            | No          | XJ      |
| 58   | NA301422    | 1   | CHUTE            |                     |            | No          | XJ      |
| 59   | NA301421    | 1   | PLUG             |                     |            | No          | XJ      |
| 60   | N507564     | 4   | BOLT             | M6X16               |            | No          | XJ      |
| 61   | NA302167    | 4   | SPACER           |                     |            | No          | XJ      |
| 62   | NA301430    | 33  | SCREW            |                     |            | No          | XJ      |
| 63   | NA301696    | 1   | SUPPORT          |                     |            | No          | XJ      |
| 64   | NA302173    | 1   | BRACKET          |                     |            | No          | XJ      |

## Parts List DCMWSP156N MOWER 1

| Item | Part Number | Qty | Part Description | General Description | Other Info | Repair Inst | Markets |
|------|-------------|-----|------------------|---------------------|------------|-------------|---------|
| 65   | N541610     | 4   | LOCK-NUT         |                     |            | No          | XJ      |
| 66   | NA301429    | 1   | ROD              |                     |            | No          | XJ      |
| 67   | NA302912    | 1   | DOOR             |                     |            | No          | XJ      |
| 68   | N572158     | 1   | SPRING           |                     |            | No          | XJ      |
| 69   | NA302172    | 1   | BRACKET          |                     |            | No          | XJ      |
| 70   | NA301667    | 1   | SUPPORT          |                     |            | No          | XJ      |
| 71   | NA302175    | 1   | BRACKET          |                     |            | No          | XJ      |
| 72   | NA301427    | 1   | SHIELD           |                     |            | No          | XJ      |
| 73   | NA301426    | 1   | INSERT           |                     |            | No          | XJ      |
| 74   | NA301415    | 4   | NUT              |                     |            | No          | XJ      |
| 75   | NA317103    | 2   | WHEELS           |                     |            | No          | XJ      |
| 76   | NA219359    | 2   | COVER LH         |                     |            | No          | XJ      |
| 77   | NA301394    | 1   | AXLE REAR        |                     |            | No          | XJ      |
| 78   | NA301402    | 1   | ROD              |                     |            | No          | XJ      |
| 79   | NA301404    | 1   | SPRING           |                     |            | No          | XJ      |
| 80   | NA301417    | 1   | ROD              |                     |            | No          | XJ      |
| 81   | NA302767    | 2   | GEAR             |                     |            | No          | XJ      |
| 82   | 90136109    | 2   | BEARING          |                     |            | No          | XJ      |
| 83   | NA302766    | 2   | HOLDER           |                     |            | No          | XJ      |
| 84   | NA302768    | 4   | SCREW            |                     |            | No          | XJ      |
| 85   | NA302939    | 1   | TRANSMISSION SA  |                     |            | No          | XJ      |
| 86   | NA383315    | 1   | HARNESS          |                     |            | No          | XJ      |
| 87   | NA301557    | 3   | BOLT             |                     |            | No          | XJ      |
| 88   | NA300158    | 1   | AXLE FRONT       |                     |            | No          | XJ      |
| 89   | NA301425    | 1   | CLIP             |                     |            | No          | XJ      |
| 90   | NA317088    | 2   | WHEELS           |                     |            | No          | XJ      |
| 91   | NA323873    | 1   | PLATE            |                     |            | No          | XJ      |
| 92   | NA301435    | 4   | NUT              |                     |            | No          | XJ      |
| 93   | NA302153    | 1   | BLADE MOUNT      |                     |            | No          | XJ      |
| 94   | NA302151    | 1   | BLADE MOUNT      |                     |            | No          | XJ      |
| 95   | NA301433    | 1   | WASHER           |                     |            | No          | XJ      |
| 96   | NA301437    | 1   | BOLT             |                     |            | No          | XJ      |

## Parts List DCMWSP156N MOWER 1

| Item | Part Number | Qty | Part Description | General Description | Other Info | Repair Inst | Markets |
|------|-------------|-----|------------------|---------------------|------------|-------------|---------|
| 97   | NA300056    | 1   | PLATE            |                     |            | No          | XJ      |
| 98   | NA301424    | 1   | BODY             |                     |            | No          | XJ      |
| 99   | NA301416    | 2   | BOLT             |                     |            | No          | XJ      |
| 100  | NA301407    | 1   | LINK             |                     |            | No          | XJ      |
| 101  | NA301418    | 1   | SPRING           |                     |            | No          | XJ      |
| 102  | NA533632    | 1   | MOTOR SA         |                     |            | No          | XJ      |
| 103  | NA490292    | 1   | MODULE           |                     |            | No          | XJ      |
| 104  | NA149905    | 1   | PCB SA           |                     |            | No          | XJ      |
| 105  | NA132154    | 1   | BAFFLE           |                     |            | No          | XJ      |
| 106  | NA096216    | 2   | CONNECTOR        |                     |            | No          | XJ      |
| 107  | NA172915    | 1   | HARNESS          |                     |            | No          | XJ      |
| 108  | NA315457    | 1   | WIRE HARNESS     |                     |            | No          | XJ      |
| 109  | NA281677    | 1   | COVER            |                     |            | No          | XJ      |
| 110  | NA296380    | 1   | PLATE SA         |                     |            | No          | XJ      |
| 111  | NA281666    | 1   | DOOR             |                     |            | No          | XJ      |
| 112  | NA357096    | 1   | HOUSING SA       |                     |            | No          | XJ      |
| 113  | N402149     | 2   | PIN              |                     |            | No          | XJ      |
| 115  | NA296382    | 1   | COVER SA         |                     |            | No          | XJ      |
| 116  | NA392699    | 1   | BUSHING          |                     |            | No          | XJ      |
| 117  | NA165685    | 1   | COVER            |                     |            | No          | XJ      |